

KEPCO MODEL RAB 39-40RAX MOUNTING BRACKET

DESCRIPTION

The Kepco Model RAB 39-40RAX consists of two brackets and mounting hardware. It is used as an installation aid to mount Kepco switching power supplies into Kepco Model RA-39 and RA-40 Rack Adapters. The Kepco Model RA-39 will accept the RAX 50W & 100W Series. The Kepco Model RA-40 will accept all RAX units, except 1500W Series. For installation instructions, refer to the applicable rack-adapter instruction manual. The mechanical outline of the Model RAB 39-40RAX is shown in FIG. 1

PARTS LIST

(2) Bracket	KEPCO P/N	128-1616
(4) Speed Nut (installed on brackets)		102-0097

HARDWARE TO MOUNT RAB 39-40RAX TO RA-39 OR RA-40

(4) Machine Screw, 6-32 x 1/2	101-0343
(4) Flat Washer, #6	103-0028
(4) Int. Lock Washer, #6	103-0015

HARDWARE TO MOUNT RAB 39-40RAX TO POWER SUPPLIES:

(4) Machine Screw, 8-32 x 5/16	101-0283
(4) Int. Lock Washer, #8	103-0017

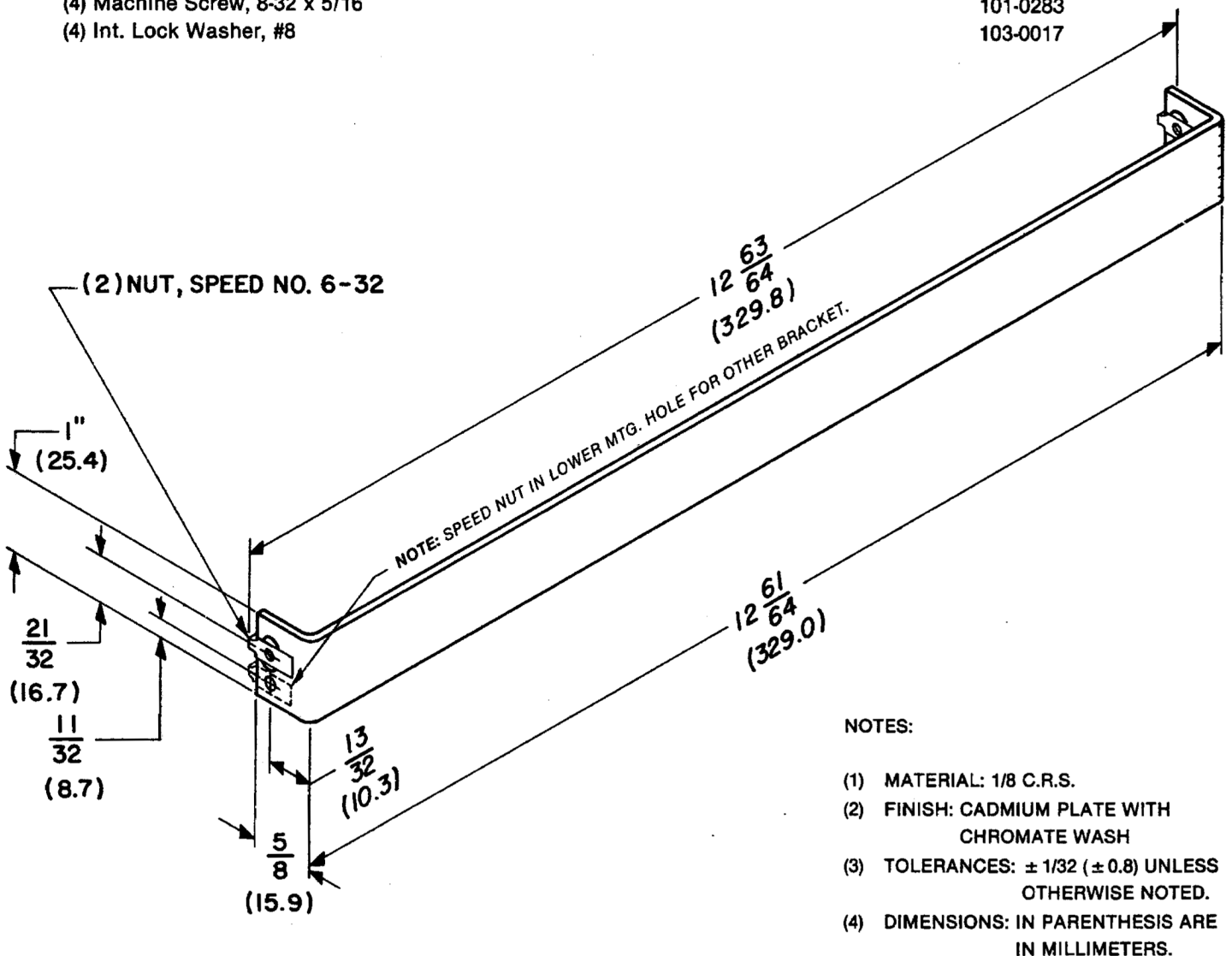


FIG. 1 KEPCO MODEL RAB 39-40RAX MOUNTING BRACKET, MECHANICAL OUTLINE DRAWING.